

The photograph may not match the reference exactly.  
Please read the product description to identify the finish.

### TECHNICAL CHARACTERISTICS



Product Model:	B-190R
IP Protection degrees:	IP65
IK Protection degrees:	IK08
Light source:	5 x SMD 5050
Total power consumption:	12W
Luminous Flux:	660-840Lm
Luminous efficiency:	55-70Lm/w
Color temperature:	4000K as standard. Optimal 2700K, 3000K & 5700K. Amber LED available
Voltage/Frequency:	100-240V/50-60Hz
Warranty(Years):	3
Units per box:	1
Net Weight(Kg)	1.8

### MATERIALS / FINISHES

<b>Structure material:</b> High purity aluminium	<b>diffuser material:</b> PC
<b>Structure finish:</b> Gray	<b>Diffuser finish:</b> Matt

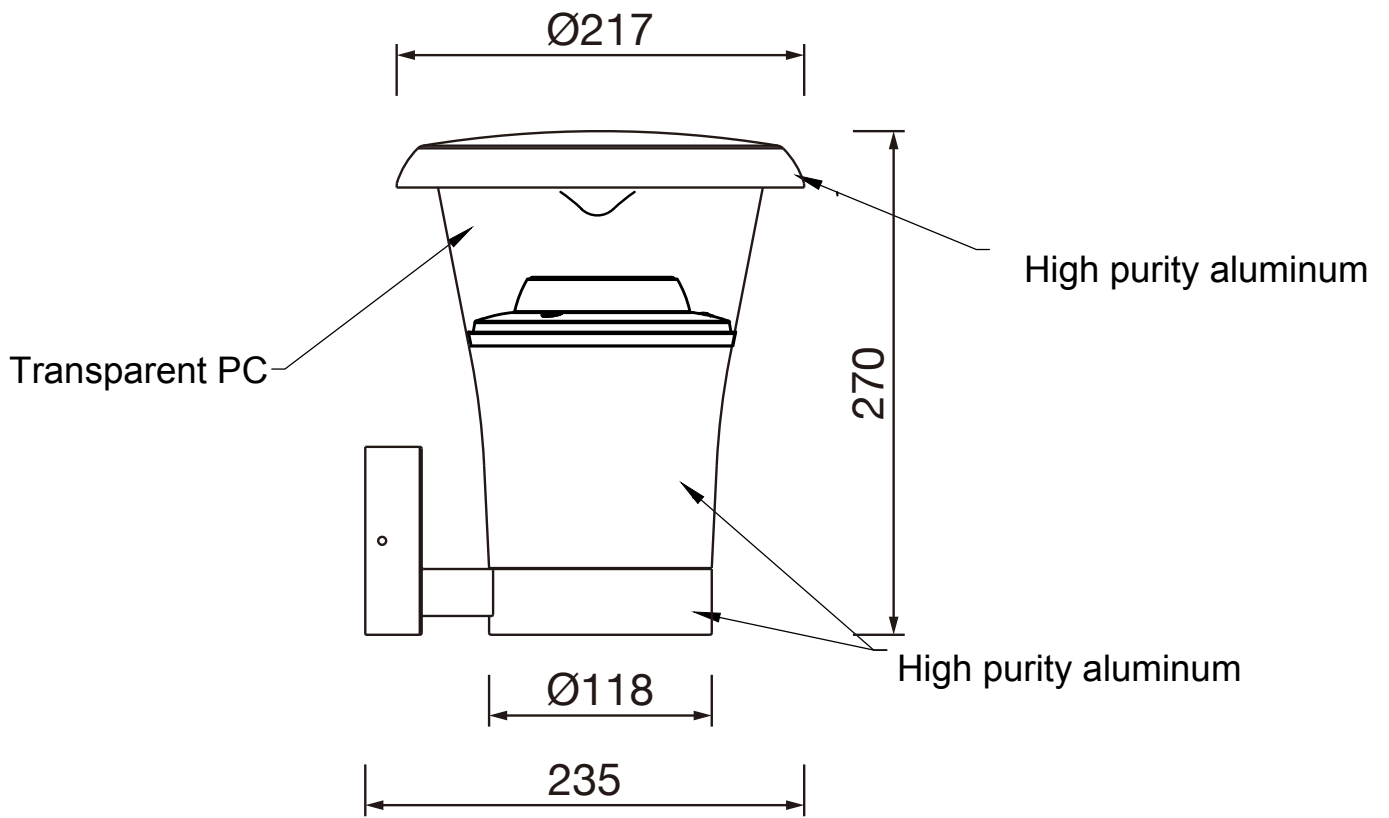
### GEAR

Multi-voltage electronic gear included (100-240 V / 50-60 Hz)

Lm<sup>(N)</sup>: Nominal flow of light in actual working conditions. Its actual flow will depend on the environmental conditions and the efficiency of the optics and/or diffuser.

Kled reserves the right to make the necessary technical changes they deem adequate, in order to improve the features of the product.  
Please consult the sales team to clarify any doubt.

Tel.: +86 574 62566 890  
Email: info@kled.com.cn  
http://www.kled.com.cn/



Installation template